

# E1205 & E1210

*Intelligent, multi-function digital indicators.*

by **Avery Weigh-Tronix**

## DESCRIPTION

The E1205 and E1210 intelligent indicators are designed to analyse, store, display and transmit data between applications and across networks - giving you greater visibility of process performance.

The E1205 and E1210 are advanced multi-function models designed for ultimate ease of use, providing all the flexibility and connectivity you need to control any weight-based process in your business.

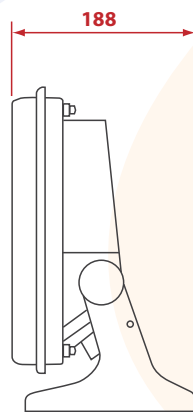
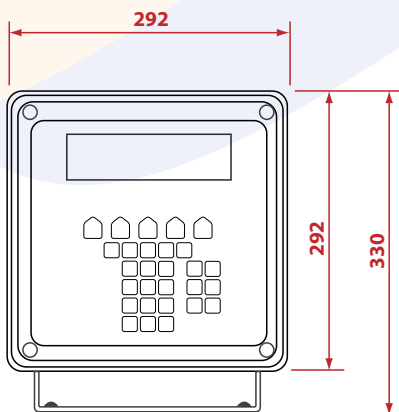
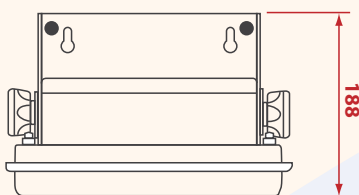


E1205

E1210

## HIGHLIGHTS

- Piece weighing, counting, checkweighing and 3-level pack run functions
- Advanced weighbridge programme with full database
- Comprehensive recipe formulation programme with 300 PLUs
- Superb graphics display for ultimate flexibility and ease of use
- Serial port, Ethernet and FieldBus connectivity - electronic archiving also available
- Stainless steel version available for IP65 applications (E1210)



## KEY FEATURES

- Improve Profitability
- Advanced Multi-function Value
- Total Weighbridge Control
- Recipe Formulation - No Problem!
- Manage Packing Runs
- Flexible Trips
- Accurate Results - Every Time
- Ultimate Ease of Use
- IP65 Hose-Proof Model
- Complete Connectivity
- Flexible Communications
- Less Downtime - Lower Costs