

XA-R320

Versatile 30kg or 60kg bench scale.

by  **rinstrum**
SMART WEIGHING SOLUTIONS

DESCRIPTION

The Rinstrum XA-R320 Series of bench scales (30kg or 60kg capacities) utilises the proven R320 digital indicator with a robust, mild-steel coated basework and stainless steel platter.



FEATURES

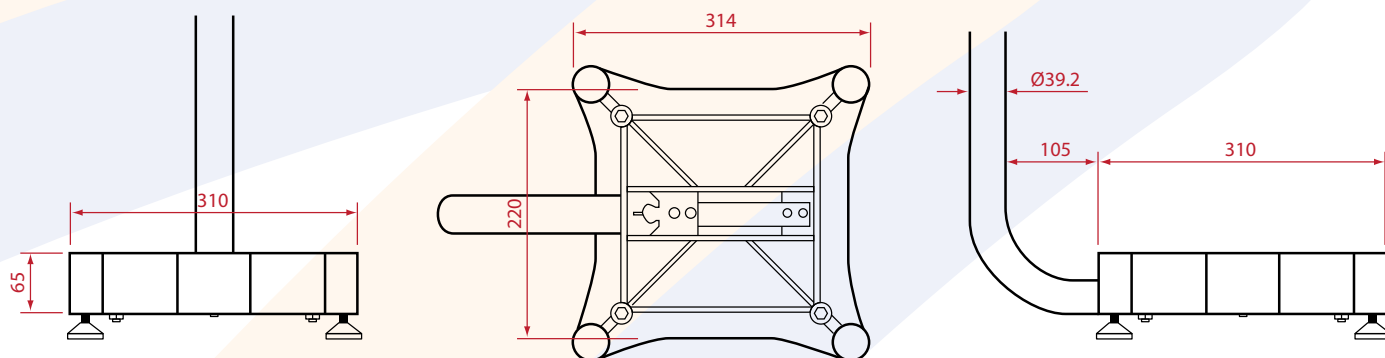
BASEWORK

- Aluminium Loadcell
- Mild Steel Coated Frame
- Stainless Steel Pan, Post and Stand
- 310mm x 310mm Pan Dimensions
- Capacities: 30kg x 0.002kg and 60kg x 0.005kg
- Clear Open Frame Makes Cleaning the Base Easy
- Removable Low-Sided Pan Deflects Splatter
- Sturdy Pan Construction Means No Warping Under Load
- Two-Axis Rotating Head to Allow Best Operator Viewing Angle
- 6mm Robust Frame
- Over load protection stops
- 1.2mm Thick Pan

R320 INDICATOR

- Highly Visible, 20mm LCD Display with LED Backlighting
- High Contrast Improves Operator Visibility and Accuracy of Reading the Weight
- Programmable Function Key Improves Operator Productivity
- Printing Can be Easily Customised Reducing the Need for Additional External Programming
- Built-In Clock and Calendar Allows for Traceable Dockets to be Printed, Requiring a Less Sophisticated Printer, Saving Costs
- Built-In RS-232 Communications for Connection to PC, Printer and Remote Display
- Two Isolated Outputs (High Side Driver Up to 300mA) for Controlling External Devices
- Versatile Power Options with AC, DC or 4 AA Batteries
- Protective Lens over the LCD Display for Maximising the Display Durability and Protecting Against Damage and Knocks
- Overload Recording Increments Every Time the Scale is Overloaded
- Additional Features Including Counting for Inventory Control and Live Weigh for Animal Weighing

DIMENSIONS



SPECIFICATIONS

Capacities	30kg x 0.002kg and 60kg x 0.005kg
Pan Size (L x W x H)	310mm x 310mm x 80mm
Materials	6mm Frame - 8mm Plate Frame: Mild Steel – Powder-Coated Pan: Grade 304 Stainless Steel Feet: Glass Filled Nylon and Synthetic Rubber Loadcell: Aluminium
IP Rating	Basework: IP-67 Indicator: IP-65
Net Weight	9kg
Shipping Weight	10.5kg
Repeatability	±1 Division
Linearity	±1 Division
Display	6 Character LCD, 20mm High, LED Backlight
Keypad	6 Key Silicon Keypad
Power Source	DC: 7V to 24VDC, 4.8V, 9.6V, 12V and 24V Batteries (2.5 VA Maximum), ON/OFF Key with Memory Feature AC: AC Pug Pack Input: 110/240VAC, 50/60Hz Output: 12VDC, 1.5A Battery: 4 x AA Batteries (Alkaline or Rechargeable NiMH, NiCad, etc.) 2.5Ah 12V NiMH Rechargeable Battery Pack with IP-65 Boot Charger Input: 110/240VAC, 50/60Hz Output: 12VDC
Ambient Temperature	-10 --+40 °C
Serial Outputs	RS-232 Automatic Transmit, Network or Printer Outputs, Transmission Rate: 2400, 4800 or 9600 Baud
Set Points	2
Assignable Function Key	2
Input/Outputs	2 Outputs - Isolated Transistor Drive Outputs (300mA Total at 50VDC)
Functions	Unit Switching, Counting, Manual Hold, Peak Hold, Live Weight and Totalising
Remote Input (Shared with Comms Port)	1