

CG SERIES

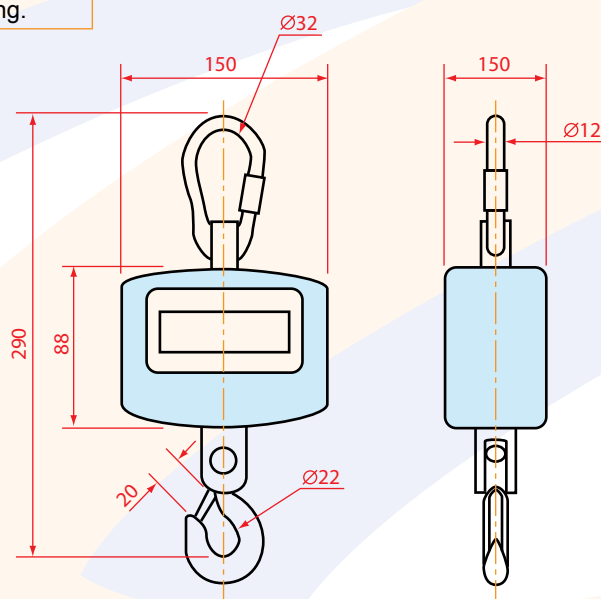
Small Capacity, Budget Crane Scale Series



FEATURES

- Automatic or Manual Weight Totalisation for Loading Operation
- Display Hold and Peak Hold Feature
- Unit Conversion Between lb, kg, and kN
- Special Loadcell Design with 200% Overload
- Internal Protection Circuit to Prevent Overcharging and to Extend the Battery Life
- Optional Remote Control Available

Maximum Capacity (kg)	50	100	150	200	300
Division Size (kg)	0.02	0.05	0.05	0.1	0.1
Display	LCD (5-Digit, 20mm High, with Backlight) LED (5-Digit)				
Power	Battery provides up to 20 hours of operation. Optional AC power-cord available.				
Construction	Impact-resistant cast aluminium alloy housing.				



**CG SERIES
OVERALL DIMENSIONS**