

# CA SERIES

The All Purpose Crane Scale Series

by  **ASPIRE**

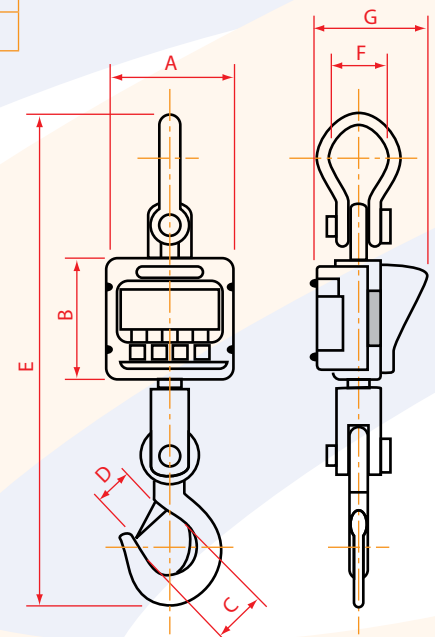
## FEATURES

- Automatic or Manual Weight Totalisation for Loading Operation
- Easy Operation and Rugged Construction
- 360° Rotation Safety Hanger Design
- Special Loadcell Design with 200% Overload
- Internal Protection Circuit to Prevent Overcharging and to Extend the Battery Life
- Optional Remote Control Available



Maximum Capacity (kg)	<b>600</b>	<b>1,000</b>	<b>2,000</b>	<b>3,000</b>	<b>5,000</b>	<b>10,000</b>	<b>15,000</b>
Division Size (kg)	0.2	0.5	1	1	2	5	10
Display	LCD (5-Digit, 40mm High, with Backlight) LED (5-Digit)						
Power	Battery provides up to 150 hours of operation. Optional AC power-cord available.						
Construction	Aluminium die-cast housing.						

DIMENSIONS (mm)							
	A	B	C	D	E	F	G
600kg	260	195	50	40	620	73	200
1,000kg	260	195	50	40	620	73	200
2,000kg	260	195	60	50	650	73	200
3,000kg	260	195	60	50	650	73	200
5,000kg	260	195	60	42	730	80	210
10,000kg	260	205	70	52	830	92	220
15,000kg	260	215	80	60	960	220	230



**CA SERIES  
OVERALL DIMENSIONS**