

E1005

Intelligent, cost-effective digital indicator.

by **Avery Weigh-Tronix**

DESCRIPTION

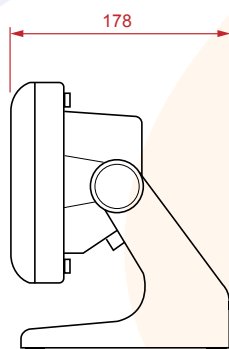
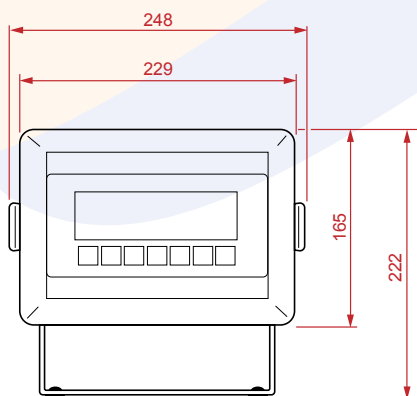
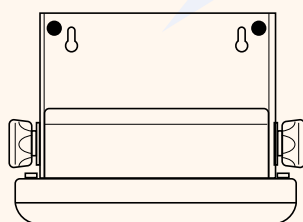
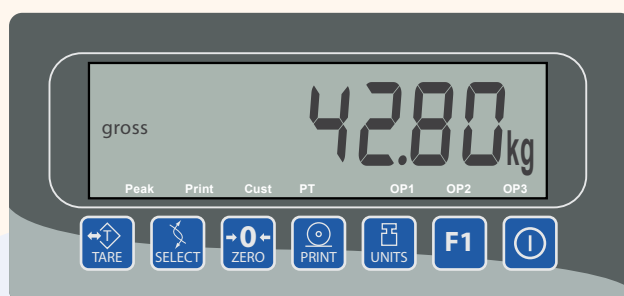
The E1005 intelligent indicator is designed to analyse, store, display and transmit data between applications and across networks - giving you greater visibility of process performance.

The E1005 is a cost-effective entry to the range that offers a solution to many weight-based processes.



HIGHLIGHTS

- Piece weighing, checkweighing, counting, totalising and peak hold functions
- Three weight-based trips for simple process control
- Large LCD display for clear weight indication
- Intuitive graphics display ensures fast, accurate checkweighing
- Serial port for easy connectivity to PCs, printers, etc.
- The flexibility of battery operation, as standard



KEY FEATURES

- Improve Profitability
- Unbeatable Value for Money
- Accurate Results – Every Time
- Fast and Simple to Use
- Flexible and Portable
- Configurable Trips
- Serial Connectivity
- Range of Built-in Functions
- Less Downtime – Lower Costs